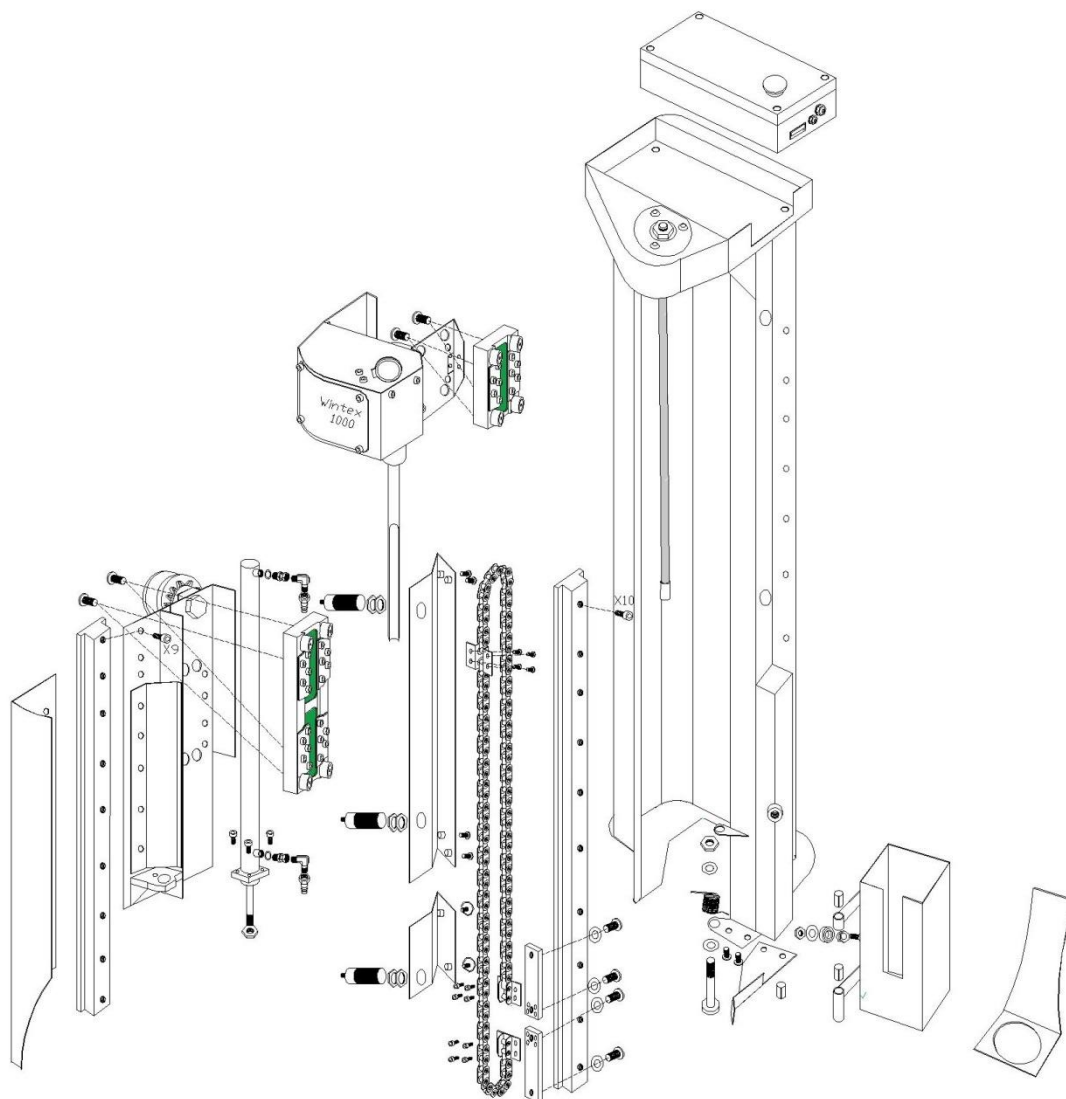


SPARE PARTS CATALOGUE WINTEX 1000

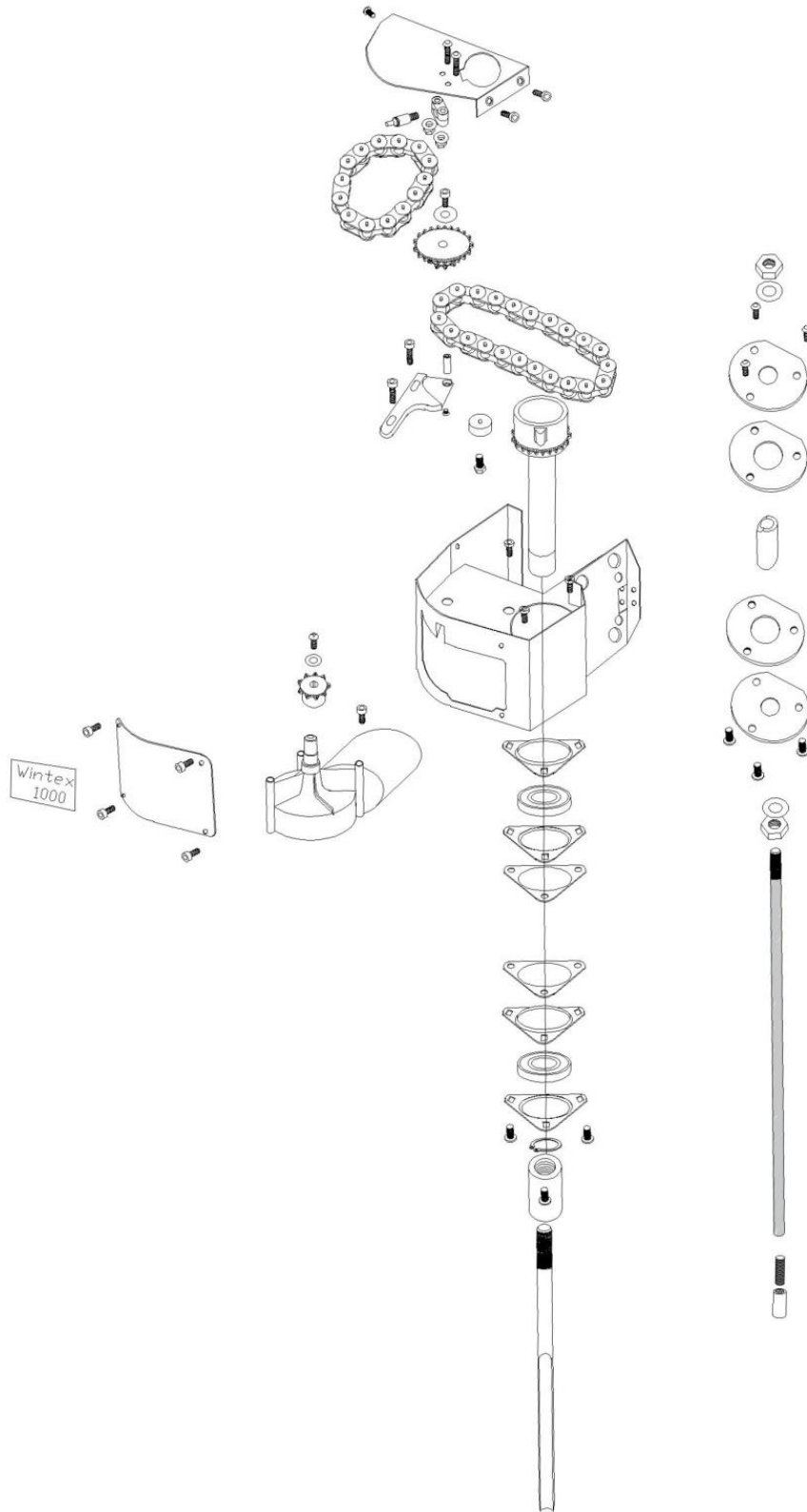
→ SERIAL NO. 1000C



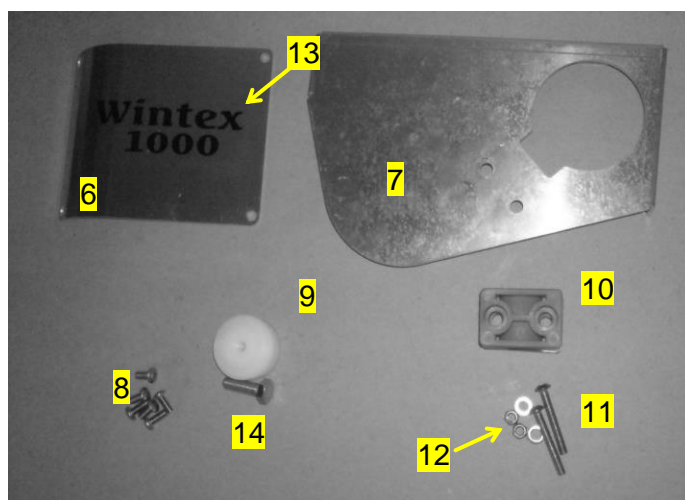
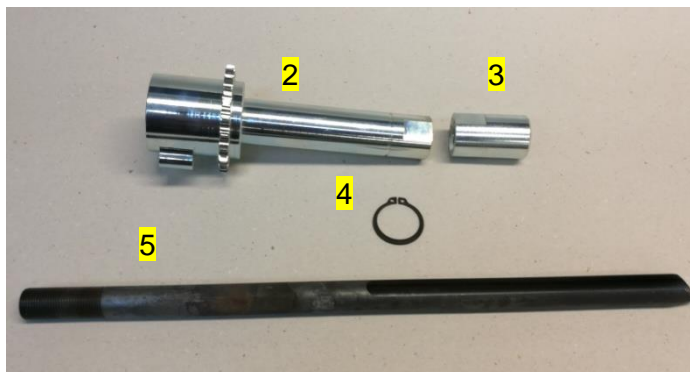
ASSEMBLY DRAWING WINTEX 1000



ASSEMBLY DRAWING DRILLING HEAD

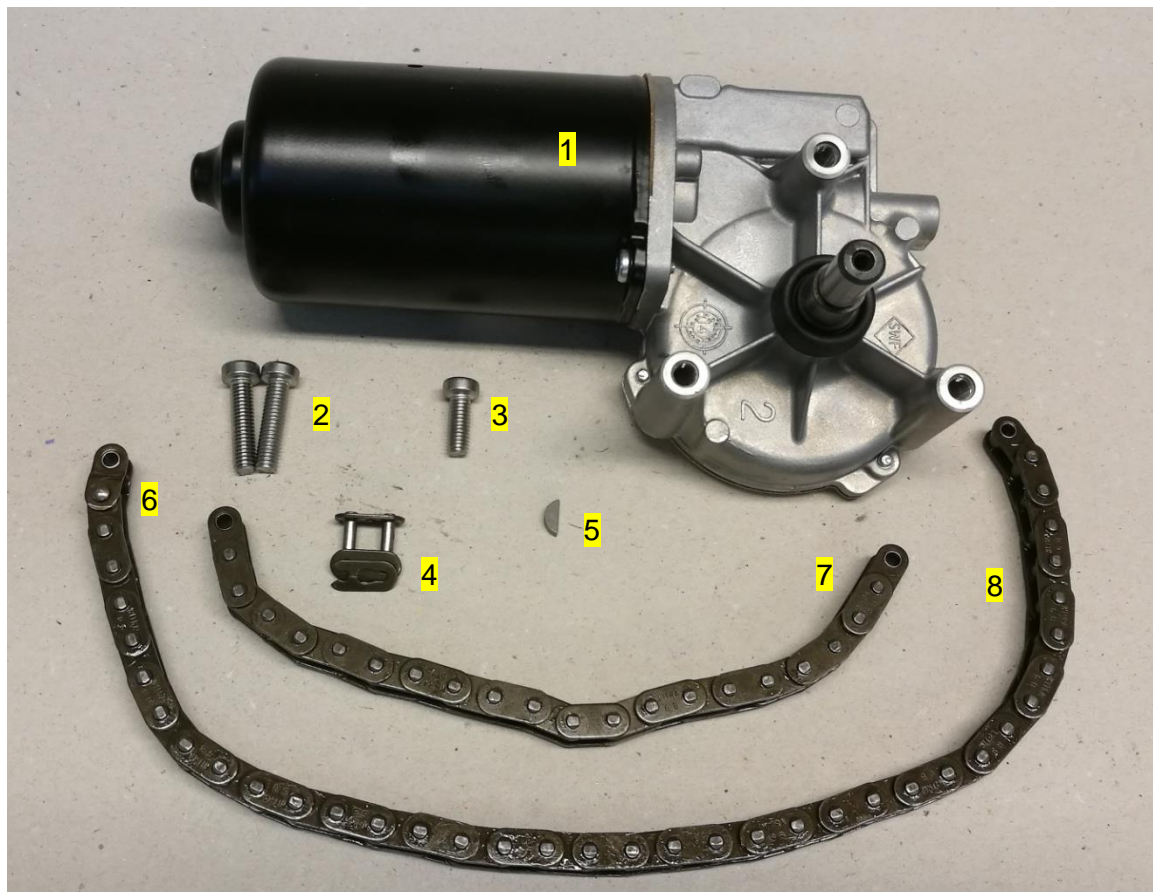


DRILLING HEAD



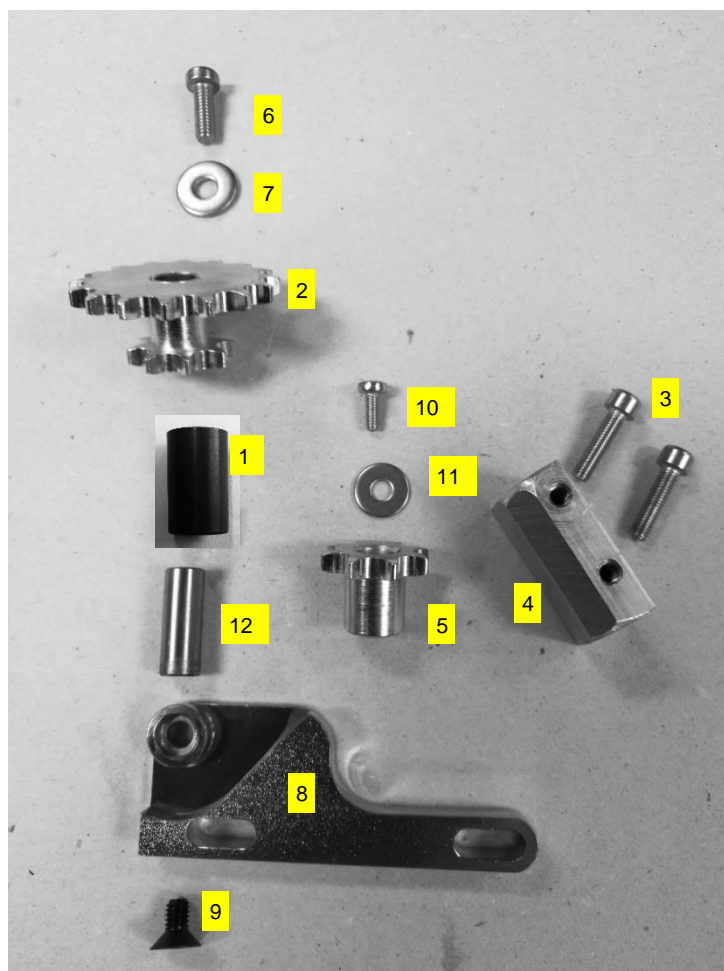
PART	ART. NO.	ARTICLE
1	15101023	Drilling head
2	15101027-18 15101027-21	Hub for 18 mm probe Hub for 21 mm probe
3	15101104-18 15101104-21	Nut for 18 mm probe Nut for 21 mm probe
4	15101105	Circlip
5	15101000-18 15101000-21	Probe with thread, 18 mm Probe with thread, 21 mm
6	15101031	Cover front
7	15101033	Cover top
8	60101012	Insex bolt low head, M5x12 mm
9	15101034	Chain tightener
10	15101106	Sensor holder, 18 mm
11	60101013	Button Head, M5x35 mm
12	60101068	Lock nut, M5 mm
13	15101178	Label WINTEX 1000
14	60101258	Hex bolt, M8x25 mm
-	60101058	Washer, M8 mm

DRILLING HEAD



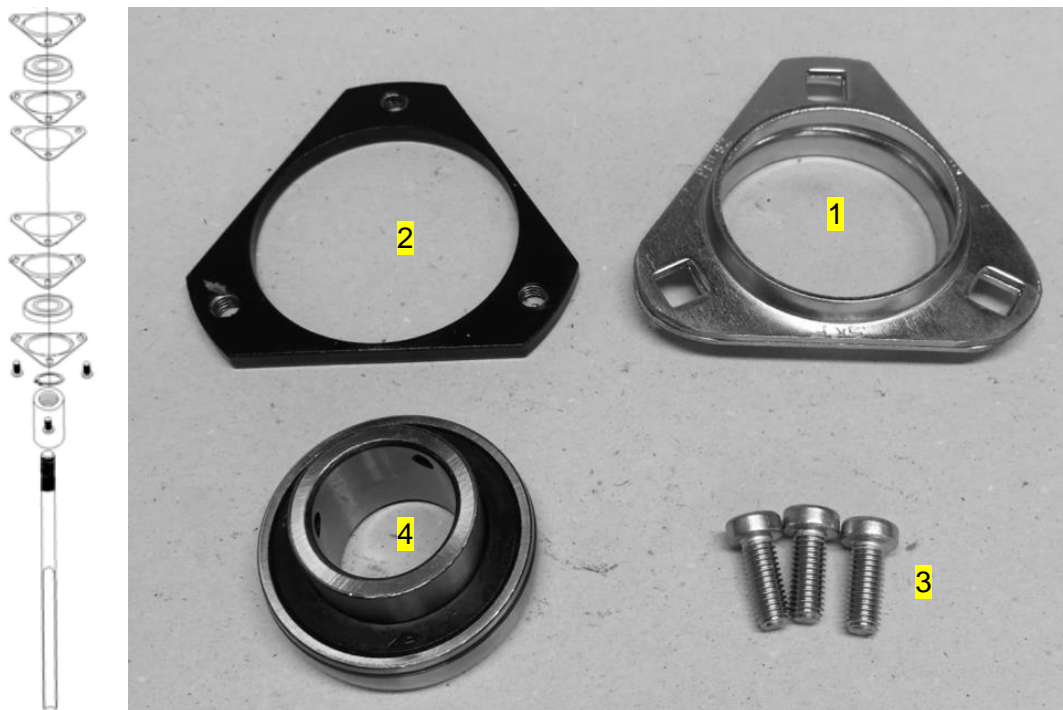
PART	ART. NO.	ARTICLE
1	15101032	Motor for rotation
2	60101240	Insex bolt low head, M6x25 mm
3	60101096	Insex bolt low head, M6x16 mm
4	15101036	Chain connector
5	15101138	Key
6	15101254	Half link
7	15101136	Chain, 22 links
8	15101135	Chain, 39 links

DRILLING HEAD



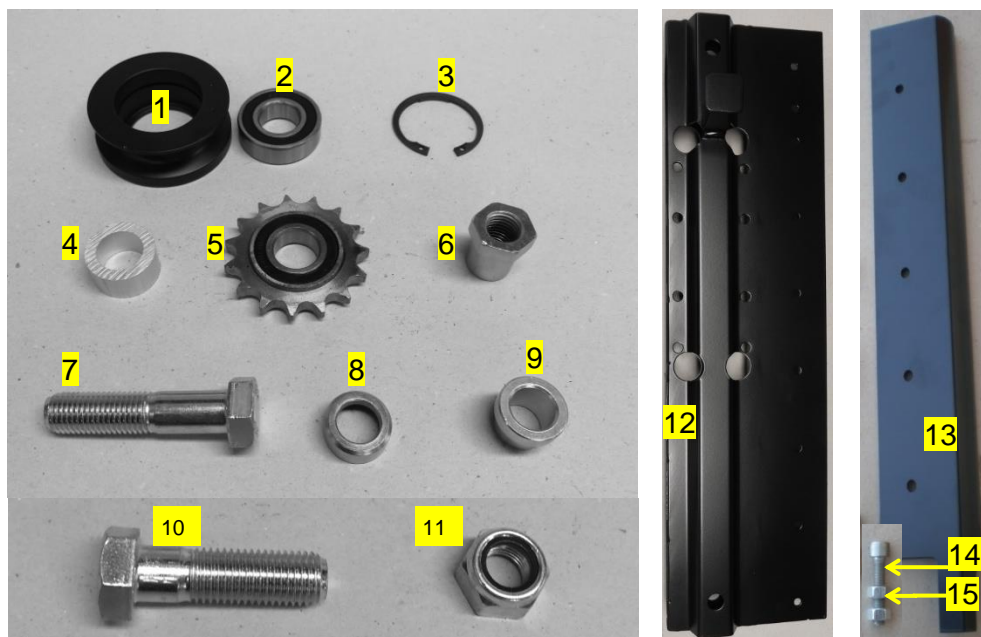
PART	ART. NO.	ARTICLE
1	15101279	Bushing for sprocket 8/16, plastic
2	15101133	Sprocket, 8/16 teeth
3	60101069	Insex bolt, M5x20 mm
4	15101107	Cable bearer
5	15101029	Sprocket, 8 teeth
6	60101096	Insex bolt low head, M6x16 mm
7	60101166	Plain washer, 6 mm
8	15101134	Mounting plate for sprocket
9	60101260	Countersunk bolt, M6x10 mm
10	60101261	Machine screw, M4x10 mm
11	60101066	Washer, M5 mm
12	15101276	Axel for 8/16 sprocket

DRILLING HEAD



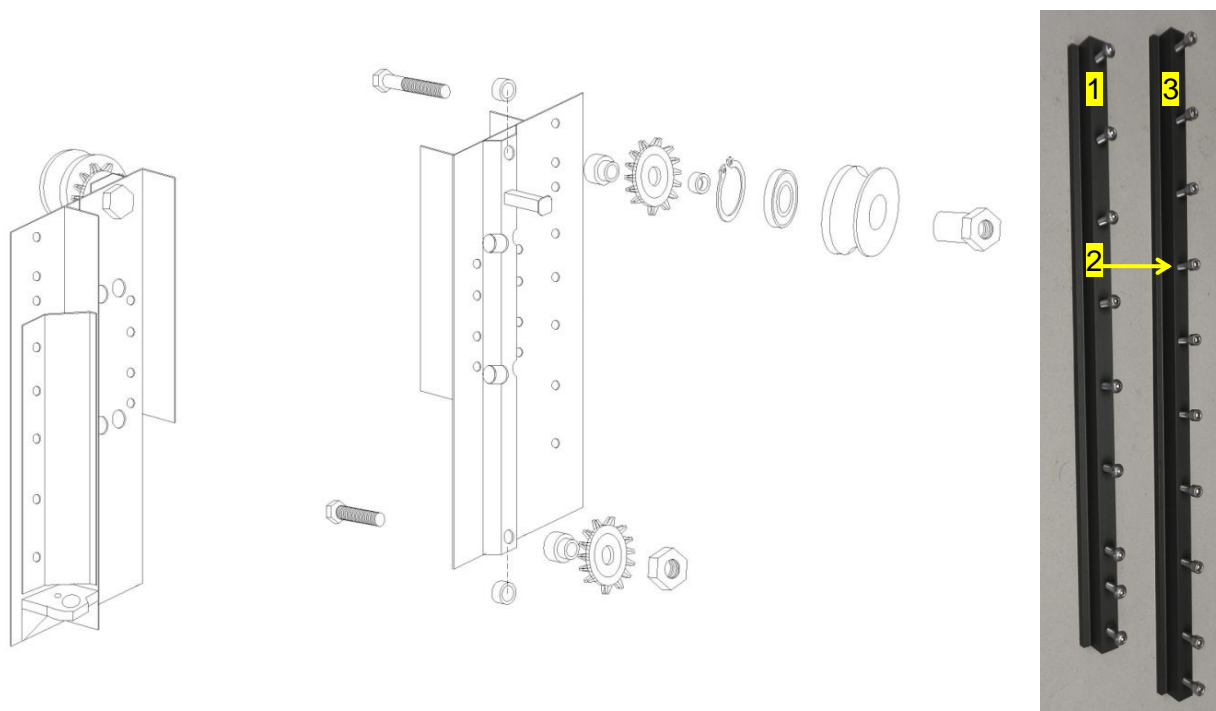
PART	ART. NO.	ARTICLE
1	15101025	Fitting for bearing
2	15101026	Mounting plate with thread
3	60101005	Insex bolt low head, M8x20 mm
4	15101024	Bearing for rotation
-	60101290	Hex bolt, M8x16 mm

MOUNTING PLATE



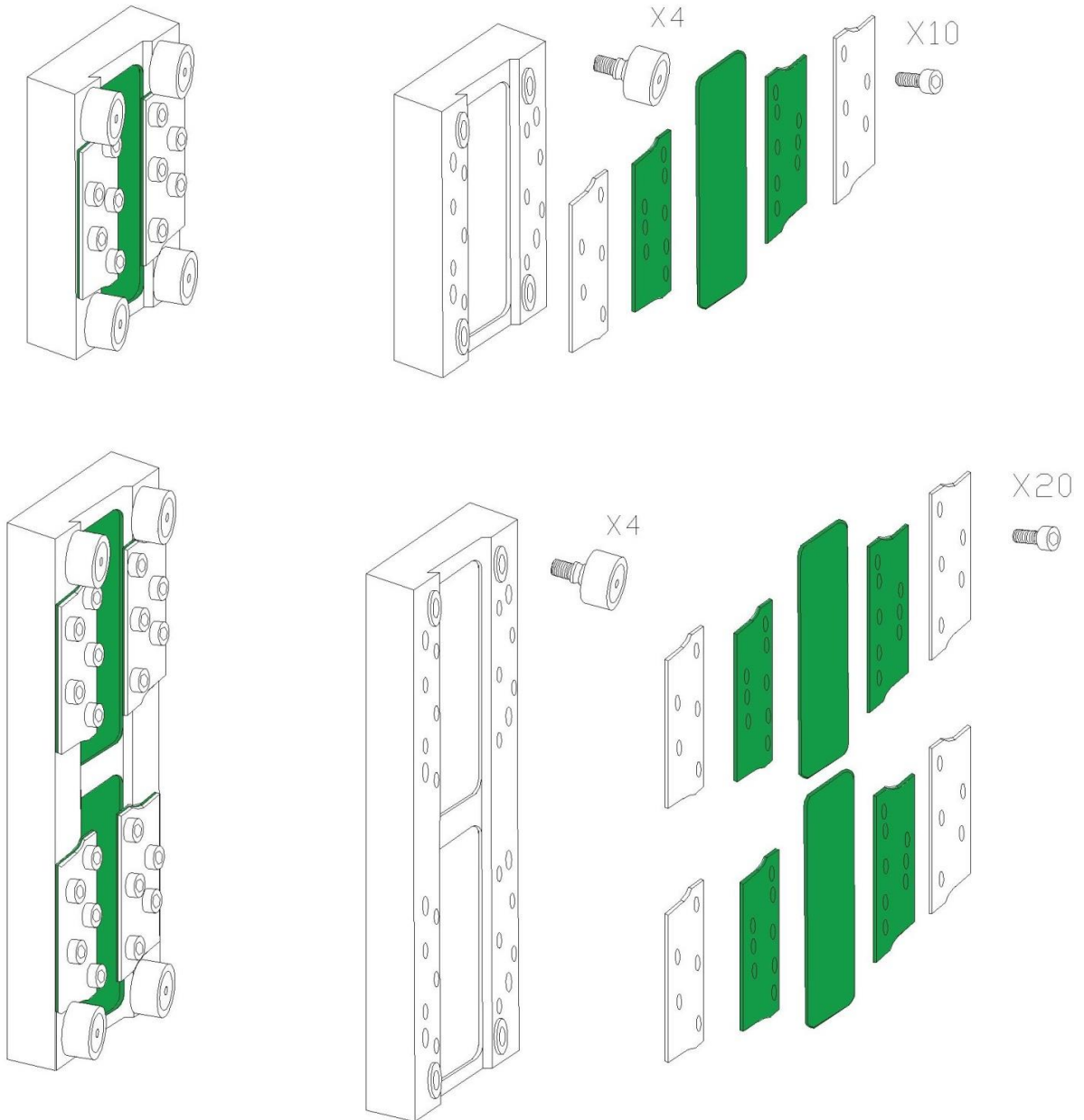
PART	ART. NO.	ARTICLE
1	15101094	Cable wheel
2	15101035	Bearing for cable wheel
3	15101052	Lock ring for cable wheel
4	15101046	Spacer for mounting plate
5	15101092	Chain sprocket wheel with bearing
6	15101099	Nut for cable wheel
7	60101010	Bolt, M16x70 mm
8	15101088	Spacer for cable wheel
9	15101017	Bushing for chain sprocket wheel
10	60101006	Bolt, M16x55 mm
11	60101050	Lock nut, M16 mm
12	15101137	Mounting plate
13	15101093	Slide for soil box
14	60101243	Insex bolt, M8x35 mm
15	60101047	Nut, M8 mm

MONTERINGSPLADE

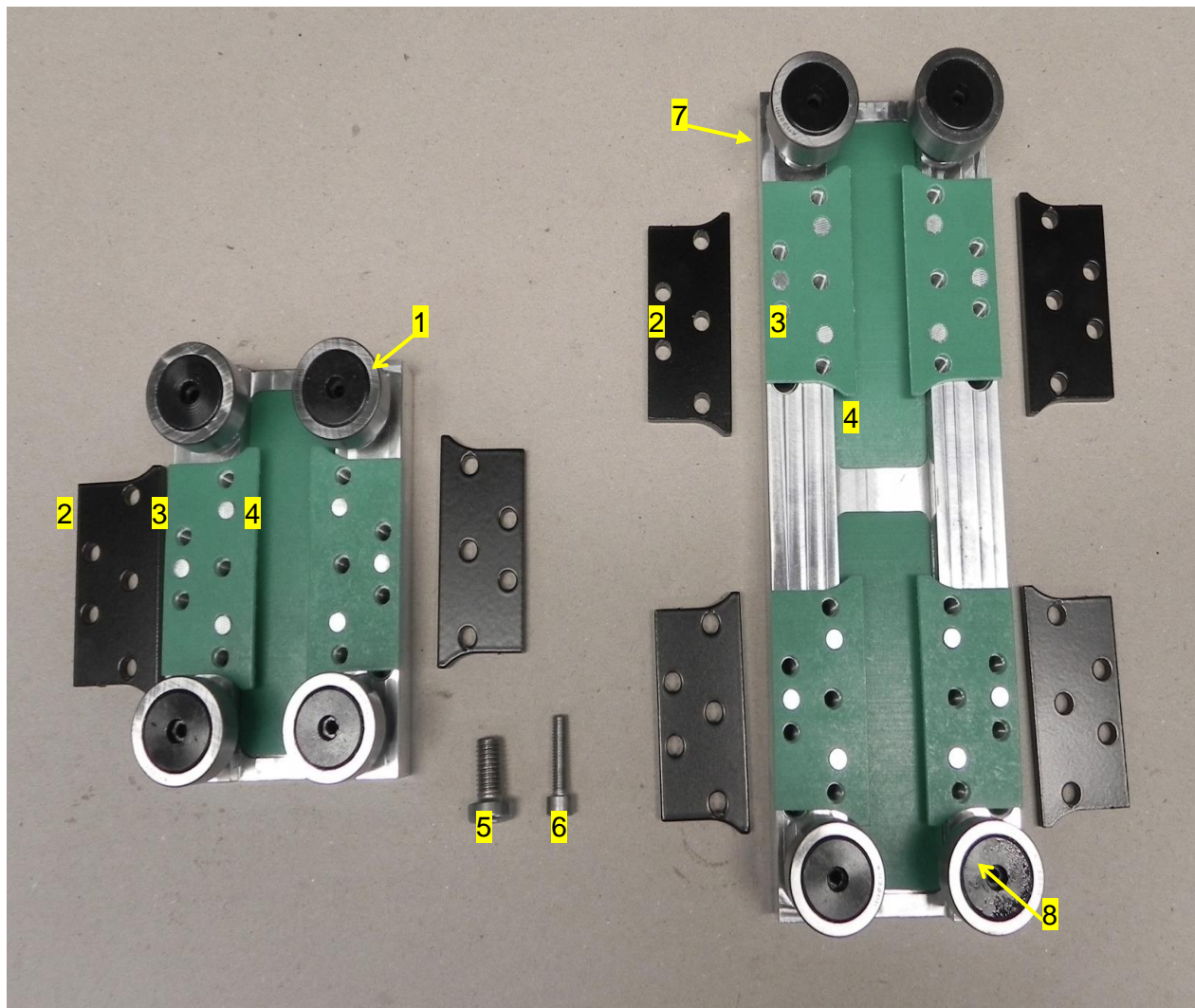


PART	ART. NO.	ARTICLE
1	15101048	Aluminium rail, 8x35x600 mm
2	60101285	Hex bolt, M8x20 mm
3	15101045	Aluminium rail, 8x35x730 mm

ASSEMBLY DRAWING SLEDGE



SLEDGE



PART	ART. NO.	ARTICLE
1	15101095-1	Sledge for drilling head
2	15101108	Mounting plate for PEDH wearing part
3	15101097	PEHD wearing part, small
4	15101098	PEHD wearing part, big
5	60101049	Insex bolt low head, M10x20 mm
6	60101014	Insex bolt low head, M6x25 mm
7	15101095-2	Sledge for mounting plate
8	15101095	Cam roller KR32KK

SOIL BOXES



1 15101003-1



2 15101003-2



3 15101003-5



4 15101003-4



5 15101002



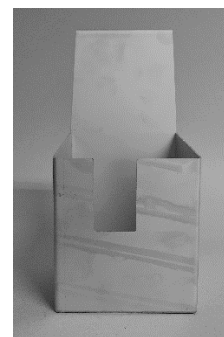
6 15101002-1



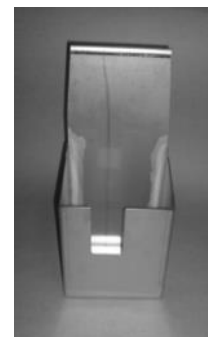
7 15101002-2



8 15101002-3



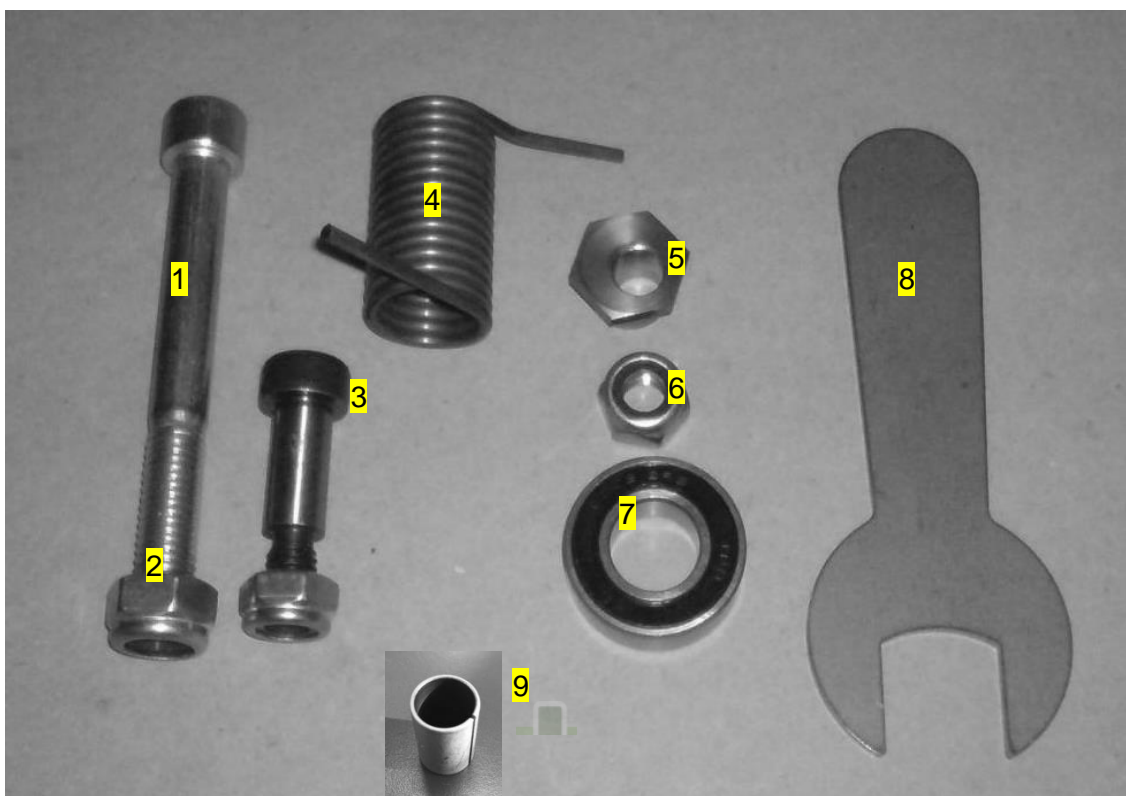
9 15101002-6



10 15101002-7

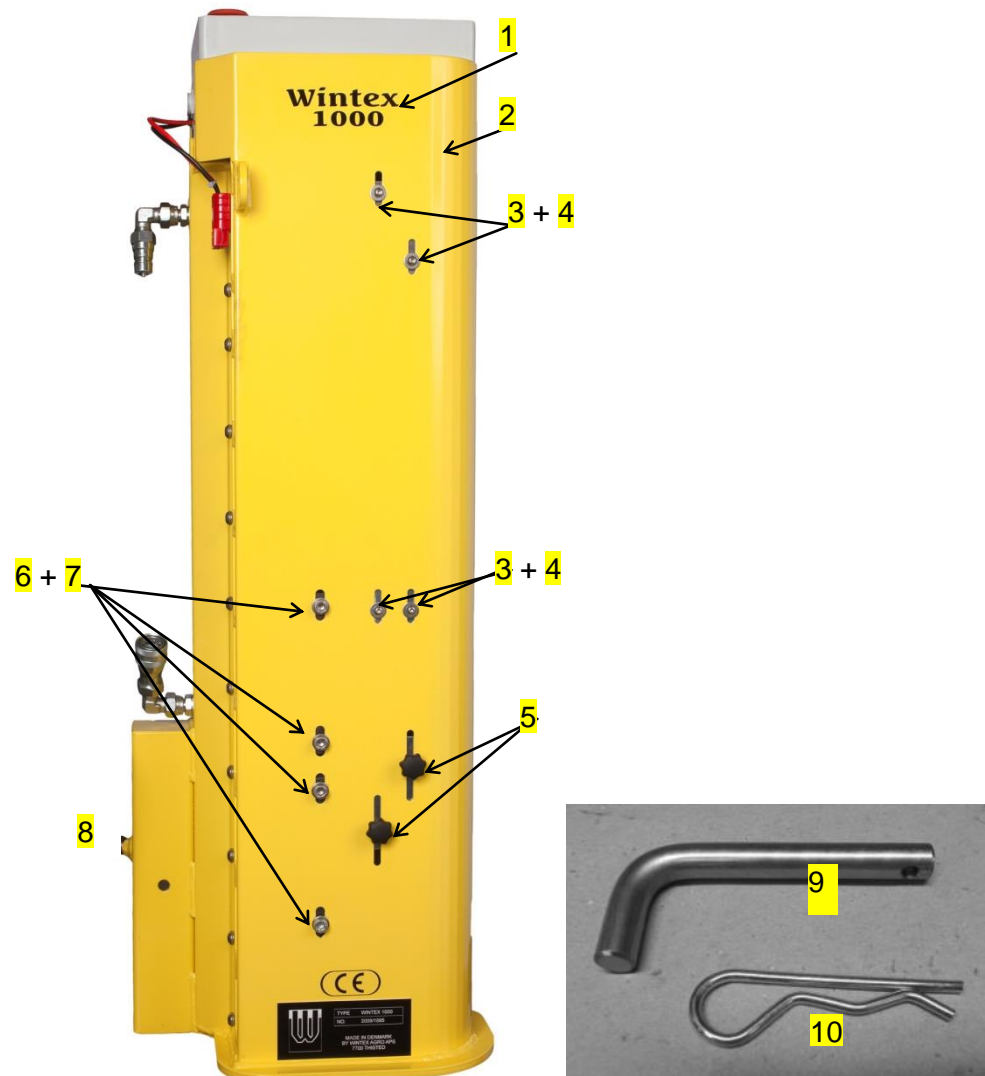
PART	ART. NO.	ARTICLE
1	15101003-1	Soil box, 265 mm high, 90 mm wide, 90 mm long
2	15101003-2	Soil box, 265 mm high, 105 mm wide, 105 mm long
3	15101003-5	Soil box, 265 mm high, 122 mm wide, 107 mm long
4	15101003-4	Soil box, 265 mm high, 149 mm wide, 104 mm long
5	15101002	Lift for soil box, for soil box no. 15101003-1 and 15101003-2
6	15101002-1	Lift for soil box, for soil box no. 15101003-2
7	15101002-2	Lift for soil box, for soil box no. 15101003-4
8	15101002-3	Lift for soil box, for soil box no. 15101003-1, contains 0,8 litres
9	15101002-6	Lift for soil box, for soil box no. 15101003-5, contains 1,5 litres
10	15101002-7	Lift for soil box, for soil box no. 15101003-2

SOIL BOXES



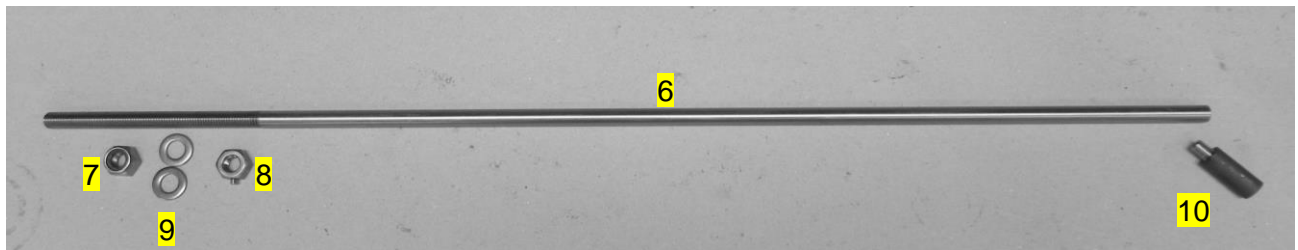
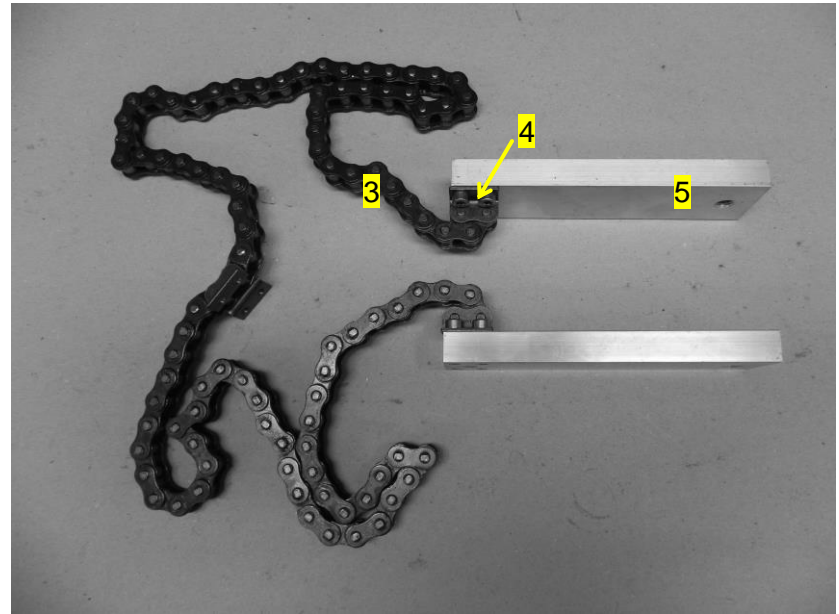
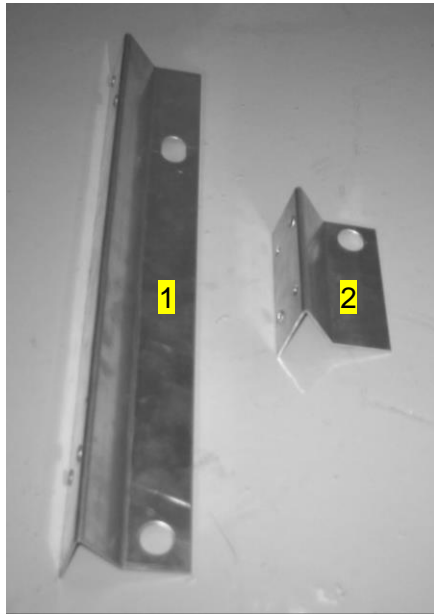
PART	ART. NO.	ARTICLE
1	60101021	Insex bolt low head, f. bottom of soil box, M12x100 mm
2	60101110	Lock nut, M12 mm
3	60101022	Fitted bolt f. top of soil box
4	15101008	Spring f. soil box
5	15101020	Eccentric
6	60101019	Lock nut, M10 mm
7	15101018	Bearing f. soil box
8	15101109	Special spanner f. adjustment of soil box
9	15101255	Slide bushing f. soil box

YELLOW COVER



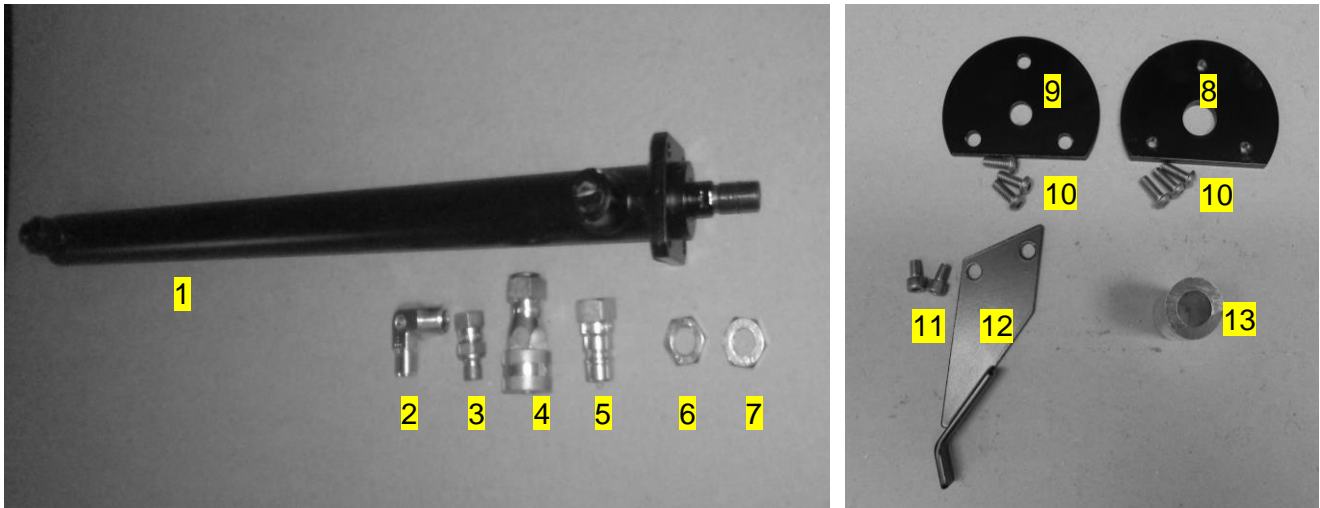
PART	ART. NO.	ARTICLE
1	15101178	Label WINTEX 1000
2	15101001	Yellow cover
3	60101012	Insex bolt low head, M5x12 mm
4	60101066	Washer, M5 mm
5	15101130	Star knob
6	60101005	Insex bolt low head, M8x20 mm
7	60101058	Washer, M8 mm
8	60101259	Hex bolt, M10x25 mm
9	15101167	Bolt f. mounting of yellow unit
10	15101169	R-pin
-	15101257	Cable holder, 10 mm

YELLOW COVER



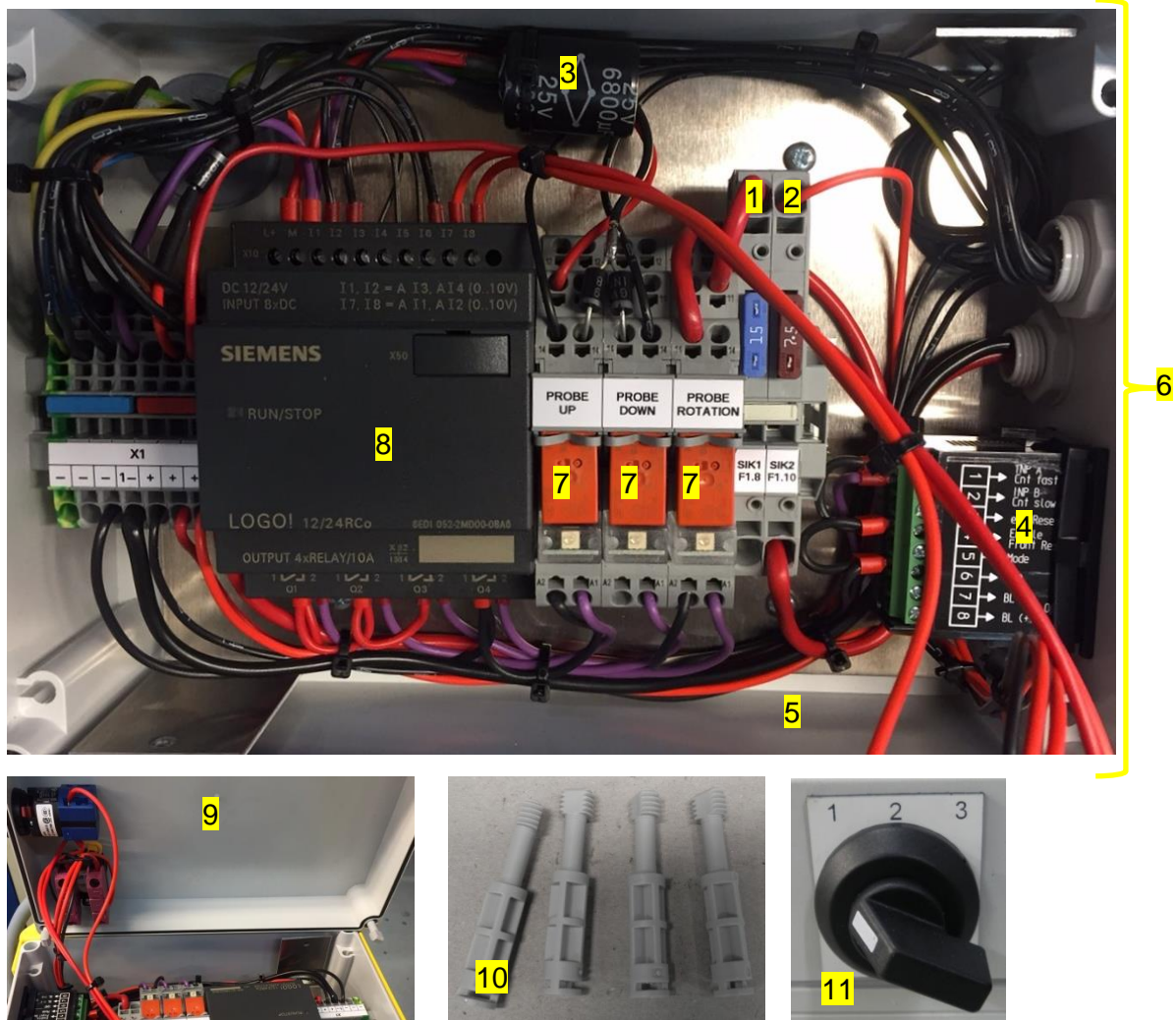
PART	ART. NO.	ARTICLE
1	15101043	Aluminium plate f. top sensor
2	15101042	Aluminium plate f. lower sensor
3	15101091	Chain to guide
4	60101059	Insex bolt, M5x16 mm
5	15101090	Fitting f. chain
6	15101007-10	Ejector, 10 mm
	15101007-12	Ejector, 12 mm
7	60101019	Lock nut, M10 mm
	60101110	Lock nut, M12 mm
8	60101114	Nut with stop screw, M10 mm
	60101111	Nut with stop screw, M12 mm
9	60101089	Washer, M10 mm
	60101171	Washer, M12 mm
10	15101009-13	Ejector tip, 13 mm
	15101009-16	Ejector tip, 16 mm

YELLOW COVER



PART	ART. NO.	ARTICLE
1	15101039	Cylinder
2	15101115	Angle
3	15101116	Nipple
4	15101041	Female quick coupling
5	15101038	Male quick coupling
6	60101266	Lock nut, M14 mm
7	60101117	Counter nut, M14 mm
8	15101119	Mounting plate with thread f. ejector, 6 mm
9	15101120	Mounting plate without thread f. ejector
10	60101096	Insex bolt low head, M6x16 mm
11	60101245	Insex bolt, M6x10 mm
12	15101122	Stop f. soil box
13	15101121	Spacer f. ejector
-	60101014	Insex bolt, M6x25 mm
-	60101070	Lock nut, M6 mm

ELECTRICITY BOX



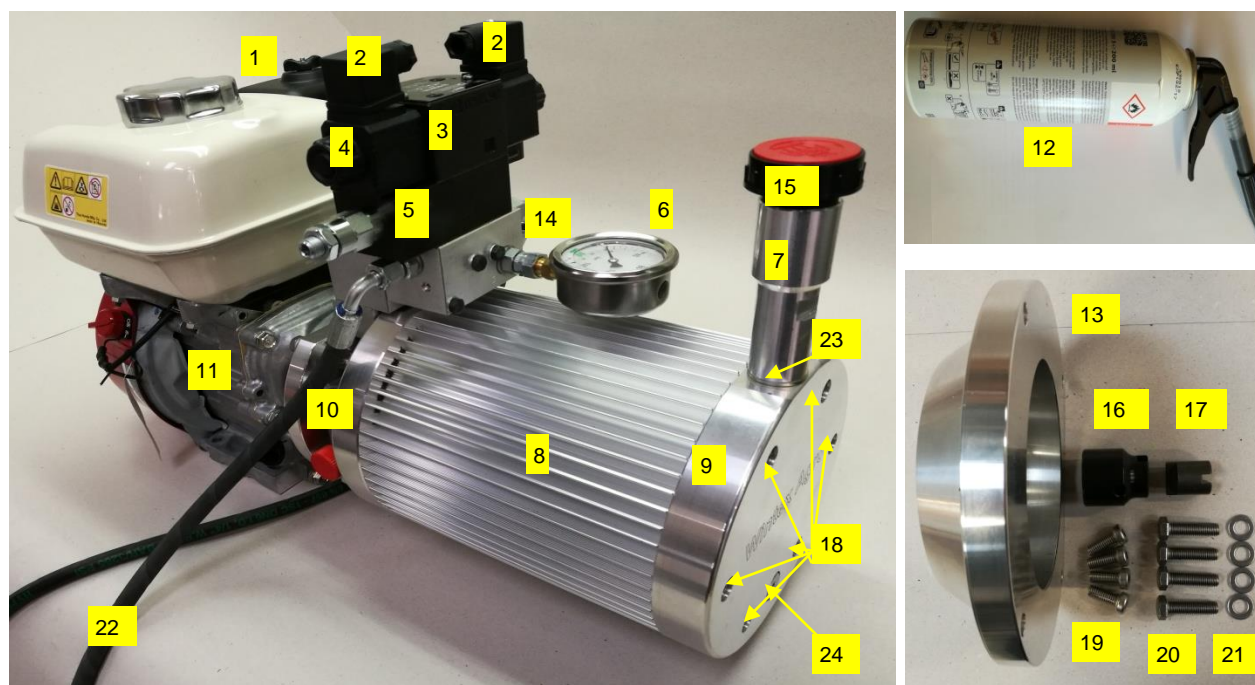
PART	ART. NO.	ARTICLE
1	15101081	Fuse, 15 amp
2	15101082	Fuse, 7,5 amp
3	15101083	Capacitor with cable and diode
4	15101084	Counter
5	15101087	Bottom of electricity box
6	15101016	Electric system, 12/DC, complete
7	15101154	Relay, 16 amp
8	15101086	PLC logo with programme
9	15101123	Lid f. electricity box
10	15101179	Plastic bolt f. electricity box
11	15101182	Switch 1-2-3
-	60101242	Button Head, M8x10 mm
-	60101073	Plain washer, M8x20 mm

ELECTRICAL PARTS



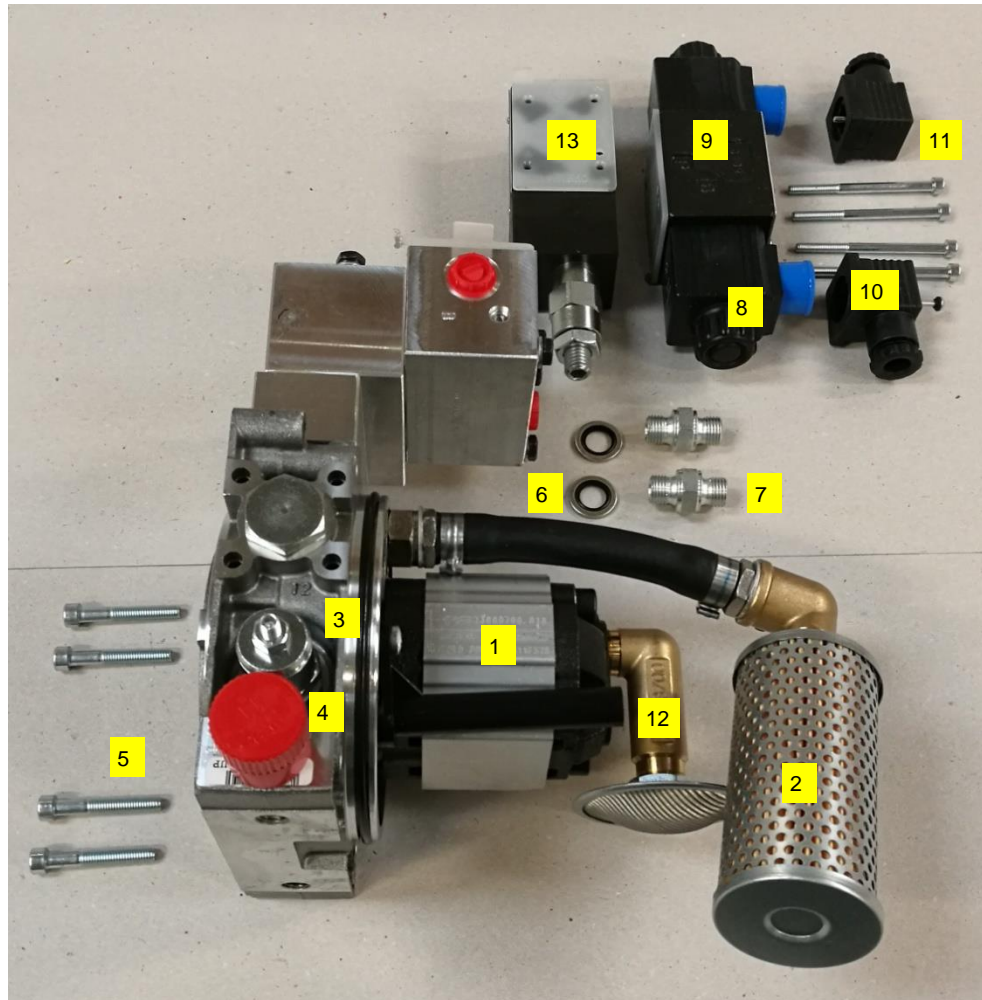
PART	ART. NO.	ARTICLE
1	15101062	Cable f. DC-motor
2	15101124	Cable with 13-pole male plug
3	15101125	Red plug, 12 V
4	15101127	Mounting f. luggage carrier
5	15101272	Fitting w. thread holes f. mounting of luggage carrier
6	15101126	Cable with 13-pole female plug
7	15101128	Cable with red plug, 12 V
8	15101067	Sensor
9	15101155	Sensor with cable
10	15101060	Start switch
11	15101061	Foot switch
12	15101080	Emergency stop
-	60101263	Insex bolt, M6x30 mm
-	60101070	Lock nut, M6 mm
-	60101074	Machine screw, M4x20 mm

HYDRAULICS



PART	ART. NO.	ARTICLE
1	15101218	Air filter
2	15101141	Plug
3	15101142	Solenoid valve
4	15101143	Solenoid
5	15101146	Adjusting valve
6	15101144	Manometer
7	50101154	Pipe f. refilling of oil
8	15101145-1	Aluminium pipe f. oil tank
9	50101155	Plate f. oil tank front
10	50101156	Plate f. oil tank back
11	15101151	Honda GX160 engine
12	14101057	Gasket sealer, 200 ml
13	15101149-1	Flange f. Honda engine 20x50 mm EU
	15101149-2	Flange f. Honda engine 3/8"x58,5 mm US
14	15101252	Manometer connection
15	15101196	Oil level rod w. filter cap
16	15101150-1	Motor coupling, f. engine 20 mm EU
	15101150-2	Motor coupling, f. engine 3/8" US
17	15101184	Motor coupling f. hydraulics
18	60101267	Insex bolt low head, M8x40mm
	15101195	Bonded seal, 8 mm
19	60101005	Insex bolt low head, M8x20 mm
20	60101268	Hex bolt M8x30 mm
21	60101058	Washer M8 mm
22	15101148	Hoses, 3000 mm
23	50101182	Bonded seal, 1/2"
24	50101180	Drain plug

HYDRAULICS



PART	ART. NO.	ARTICLE
1	15101147	Pump 2,6 CC
2	50101198	Return filter 3/8"
3	15101253	Excess-pressure valve
4	50101090	Cap f. excess-pressure valve
5	60101054	Insex bolt M6x40 mm
6	15101168	Bonded seal 1/4"
7	15101117	Nipple 1/4"-1/4"
8	15101143	Solenoid
9	15101142	Solenoid valve
10	15101141	Plug
11	60101269	Insex bolt M5x70 mm
12	50101183	Oil strainer f. hydraulic pump
13	50101146	Adjusting valve

VARIOUS PARTS



PART	ART. NO.	ARTICLE
1	15101129	Tower support
2	60101259	Hex bolt, M10x25 mm
3	15101174	Pipe holder
4	15101131	Container f. plastic boxes
5	15101132	Funnel f. filling of bags
-	60101089	Washer, M10 mm
-	60101019	Lock nut, M10 mm

VARIOUS PARTS



PART	ART. NO.	ARTICLE
1	15101152	Compact laminate front
2	15101153	Compact laminate back
3	15101075	Mounting frame
4	15101140	Mounting bracket
5	50101037	Hydraulic oil XV46
-	60101019	Lock nut, M10 mm
-	60101051	Insex bolt, M10x100 mm